

PALLARI **KH-160** *Shear*

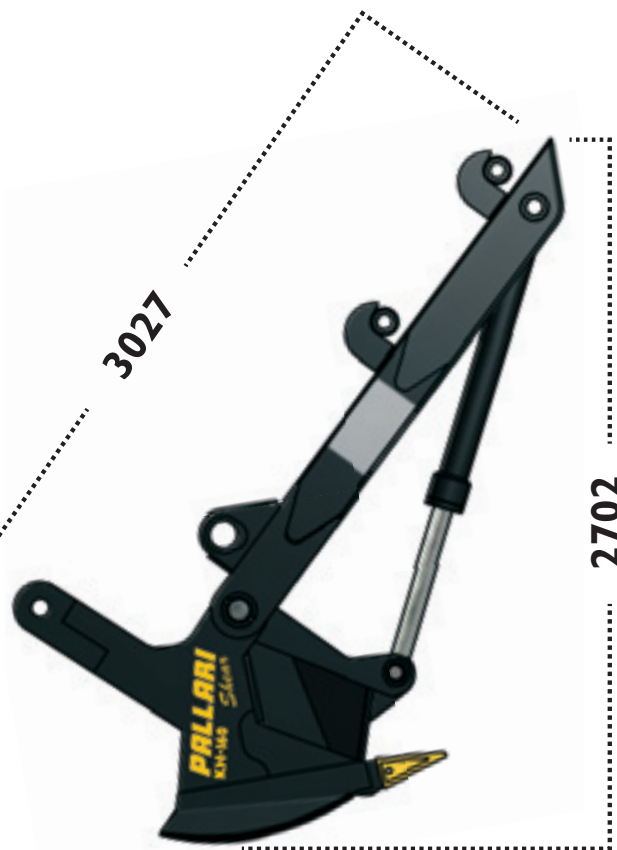
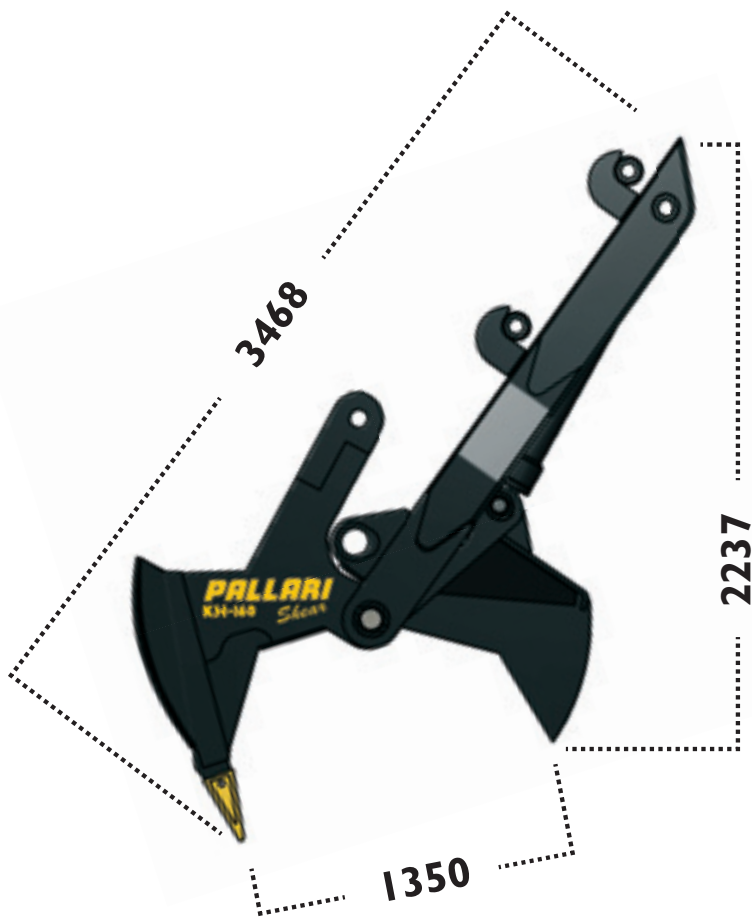


Stumpharvester PALLARI KH-160

is specially designed multi-purpose device for hydraulic excavators to break up, loosen and take apart all kinds of stumps and roots. Stumpharvester is used for reducing size of all kinds of soft (wooden) recyclable materials.

Smaller and medium size stumps can be dislodged and picked up in one piece.

Larger stumps are first split, then dislodged and finally picked up in pieces.



PALLARI **KH-160** *Shear*

SPECIFICATIONS:

- Hydraulic pressure (max.) 320 bar
- Gap opening ca. 135 cm
- Cutting force ca. 50 t
- Weight ca. 2000 kg
- Recommendation 18-25 t
(size of excavator)
- Total height ca. 270 cm
- Total width ca. 98 cm

FEATURES:

- easy mounting
- wide usability
- durable: hardened tensile strength steels
- cost effective
- can be fitted to most excavators

APPLICATIONS:

Can be used for tearing, cutting and breaking all kinds of wooden materials in forest and recycling centers and also in other similar places.

USAGE:

When loosening stumps shake excess dirt to reduce weight. Cut stumps and roots into smaller pieces to reduce size.

Manufacturer:

TERVOLAN
KONEPAJA

Konepajantie 6,
FI-95330 Tervola
Tel. +358 (0)20 743 3070
email: terko@terko.inet.fi
www.tervolankonepaja.fi

Distributor: