

# PALLARI

## KHM-125 *Shear*



**NEW**

### Stump harvester PALLARI KHM-125

is device designed for breaking and lifting stumps. KHM-125 can be installed with excavator's quick connector. This enables smooth change with other work devices like e.g. shovel.

With back plate of KHM the soil cultivating is also easy.

#### FEATURES:

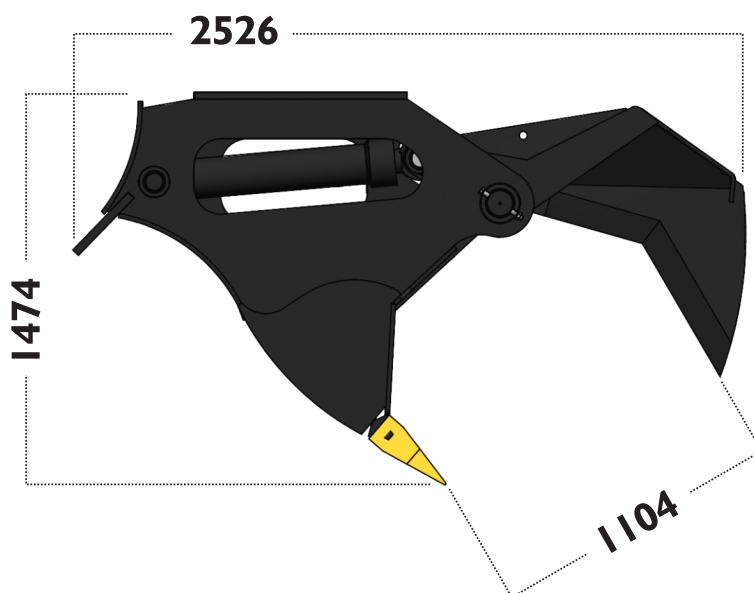
- easy mounting
- wide usability
- durable: hardened tensile strength steels
- cost effective
- can be fitted to most excavators

#### APPLICATIONS:

Can be used for tearing, cutting and breaking all kinds of wooden materials in forest and recycling centers and also in other similar places.

#### USAGE:

When loosening stumps shake excess dirt to reduce weight. Cut stumps and roots into smaller pieces to reduce size.



#### SPECIFICATIONS:

- Hydraulic pressure (max.) ..... 320 bar
- Gap opening ..... approx 110 cm
- Cutting force ..... approx 48 t
- Weight ..... approx 1700 kg
- Recommendation ..... 18-26 t (size of excavator)
- Total height ..... approx 147 cm
- Total width ..... approx 74 cm
- Quick coupling according to base machine.

Manufacturer:

**TERVOLAN  
KONEPAJA**

Konepajantie 6,  
FI-95330 Tervola  
Tel. +358 (0)20 743 3070  
email: terko@terko.inet.fi  
www.tervolankonepaja.fi

Distributor: